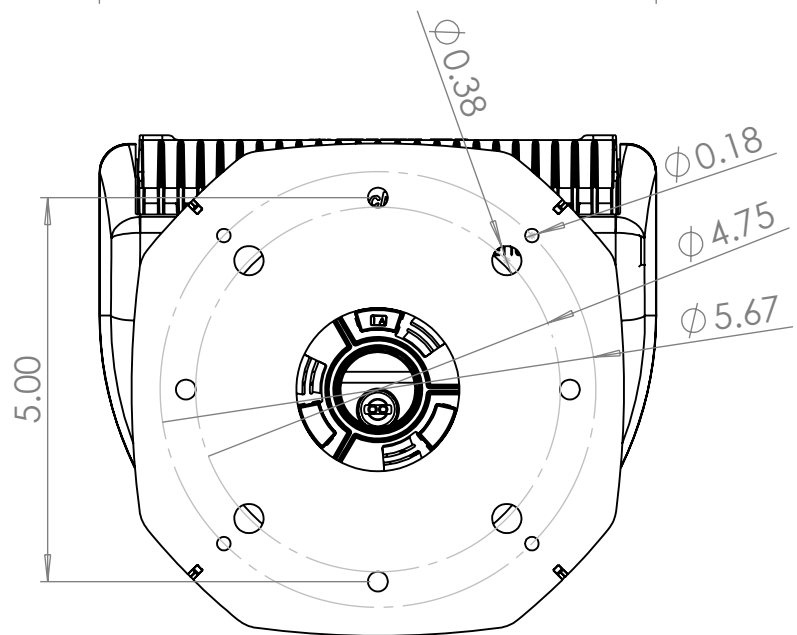
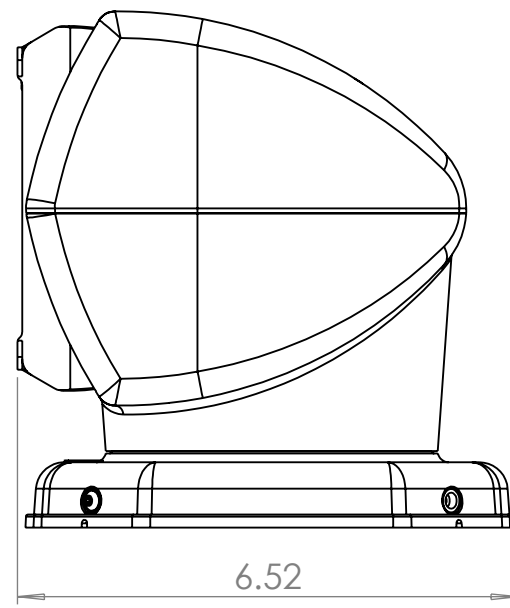
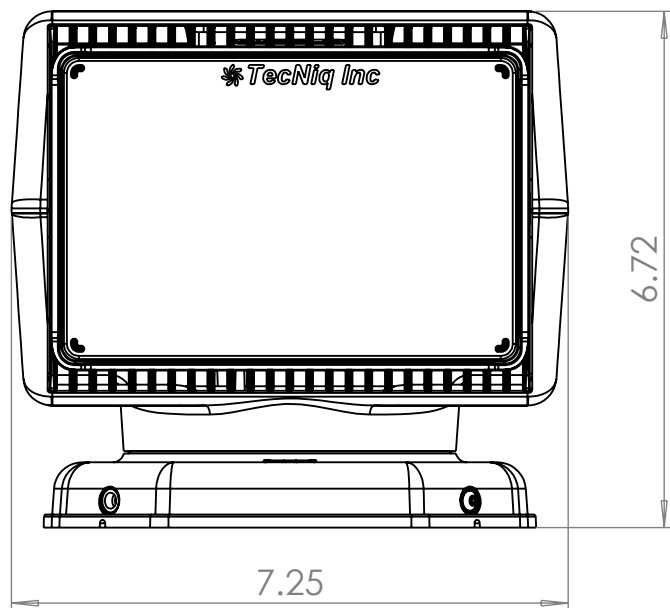
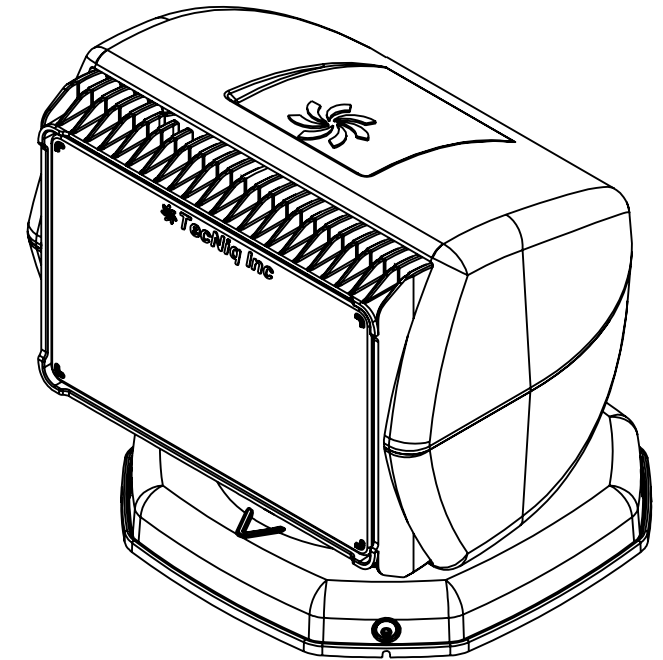
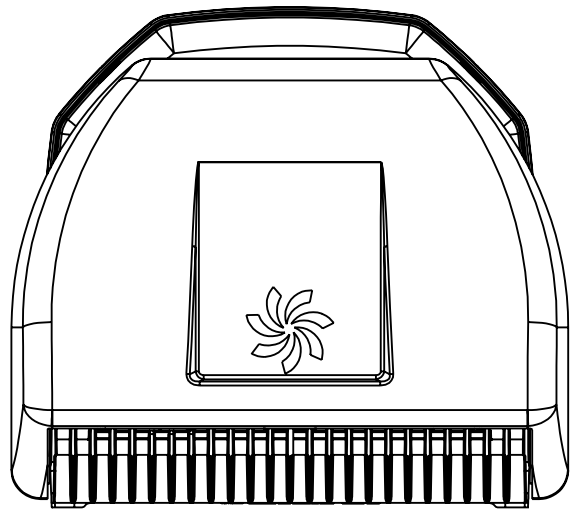


8 7 6 5 4 3 2 1

D  
C  
B  
A

D  
C  
B  
A



8 7 6 5 4 3 2 1

**TecNiq**  
Changing the Shape of Light

E110

8

7

6

5

4

3

2

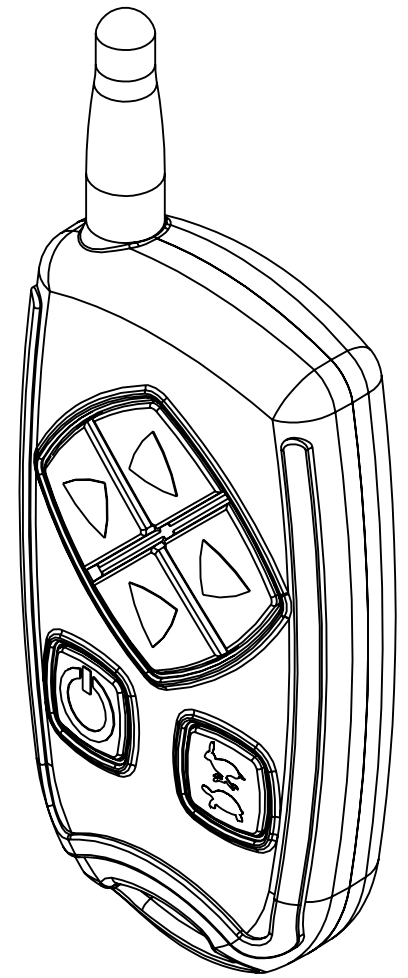
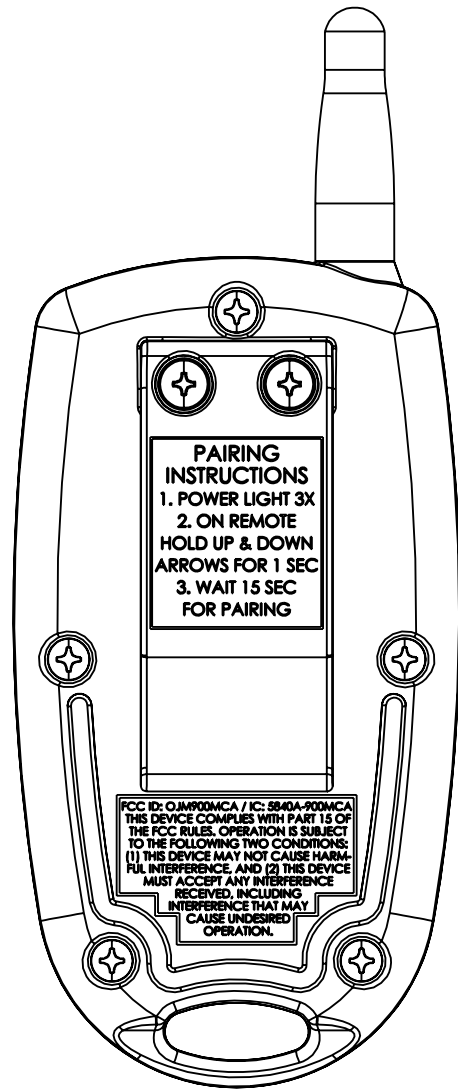
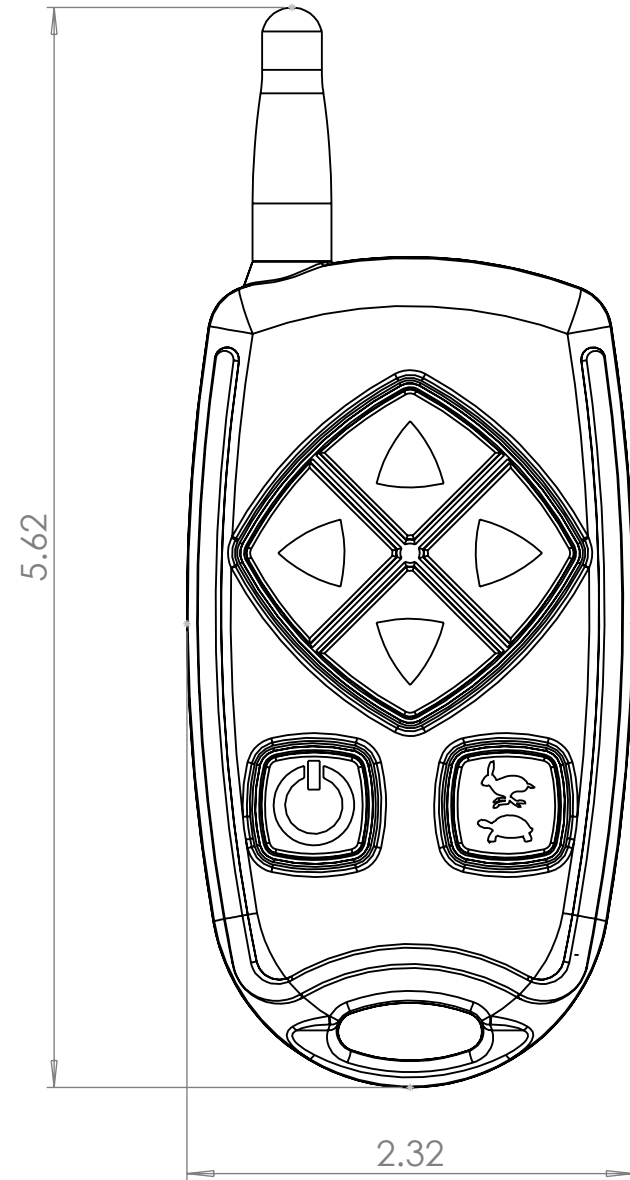
1

D

C

B

A



D

C

B

A

8

7

6

5

4

3

2

1

**TecNiq**  
 Changing the Shape of Light

E110