

TecNiq's **T80** is able to meet all requirements for stop, turn, tail, side marker, clearance marker, rear reflector, side reflector and license plate light in a revolutionary, cost-effective design. The **T80** meets over 80" and under 80" requirements. With a sonic-welded case and potted electronics, this light will survive the harshest environment. And, unlike the competition, TecNiq's light is actually **SUBMERSIBLE!** See www.TecNiqInc.com for more details and a complete list of part numbers.

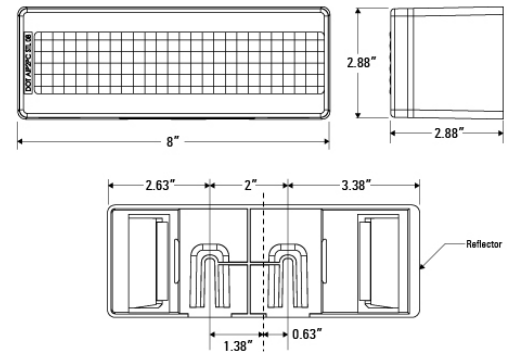


Technical features

- ✦ Multi-Function 8" low profile tail light
- ✦ IP68 Rated - Dust and water proof with hermetic seal
- ✦ Meets all FMVSS 108 requirements for narrow and wide vehicles
- ✦ Fits standard mounting as a direct replacement
- ✦ Functions include : Stop • Turn • Tail • Clearance • Side marker • Side Reflector • Rear Reflector • License Plate Light (Left)

Specifications

Dimensions:	8" x 2.88" x 2.88" (see diagram)	
LEDs:	7+1 (white license plate light on left side)	
Voltage:	9 - 14V DC	
Current:	0.14A-0.20A Left 0.06A-0.09A Right + 0.11A-0.15A Brake	
Connector:	9" Pigtail or 9" Pigtail w/ground rin	
Mounting:	Uses (2) 1/4-20 carriage bolts (not included)	
LED colors:	Red	
Wire colors:	White Wire	Ground
	Brown Wire	Low Intensity
	Green Wire	Right Turn/Brake
	Yellow Wire	Left Turn/Brake



California Proposition 65

WARNING: This product can expose you to chemicals including lead, which is known to the State of California to cause cancer, birth defects or other reproductive harm

Part Numbers	Description	Std Pack	Connector Type
T80-RRLG-1	8 Function 8" Box Tail Light Left Side Pigtail w/ Ground Ring	32	Pigtail/Self Ground
T80-RRLP-1	8 Function 8" Box Tail Light Left Side Pigtail	32	Pigtail
T80-RRRG-1	7 Function 8" Box Tail Light Right Side Pigtail w/ Ground Ring	32	Pigtail/Self Ground
T80-RRRP-1	7 Function 8" Box Tail Light Right Side Pigtail	32	Pigtail

