

TecNiq's E61 Surface Mounted Docking Light is made with anodized cast aluminum heatsink for durability, finished with 316 stainless steel cover for elegance. Perfect for pontoon and fishing boats, E61 is potted with our very own TecSeal, guaranteed waterproof and functionality for a lifetime of use.



See www.TecNiqInc.com for more details and a complete list of part numbers.

E61

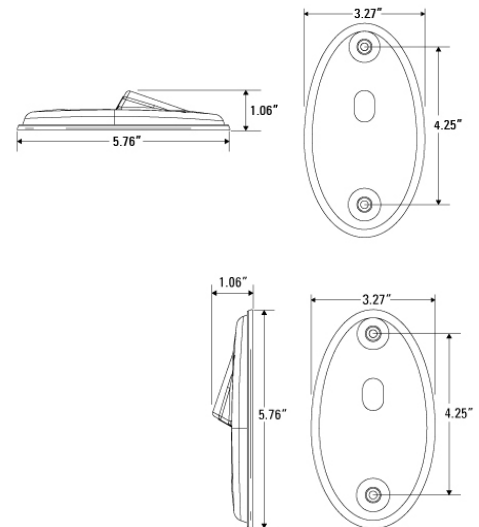
SURFACE MOUNT DOCKING LIGHT

Technical features

- ✦ Surface mount design is perfect for pontoons and fishing boats
- ✦ 1400 Lumen output per light
- ✦ Waterproof design, made with TecSeal potting
- ✦ Form fitting gasket to protect the boat finish

Specifications

Dimensions:	5.76"x 1"x 3.27"
LEDs:	3
Voltage:	9-30V DC
Current:	0.85A - 1.15A
Connector:	12"
Mounting:	Surface mounted with two screws
LED colors:	White
Lumens:	1400



California Proposition 65

WARNING: This product can expose you to chemicals including lead, which is known to the State of California to cause cancer, birth defects or other reproductive harm

Part Numbers	Description	Std	Connector
E61-WS00-1	Surface Mount LED Docking Light, Pair	6	Sheathed Pigtail

