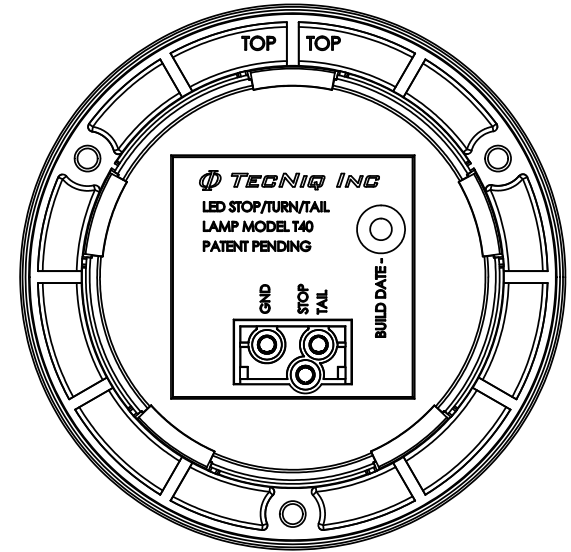
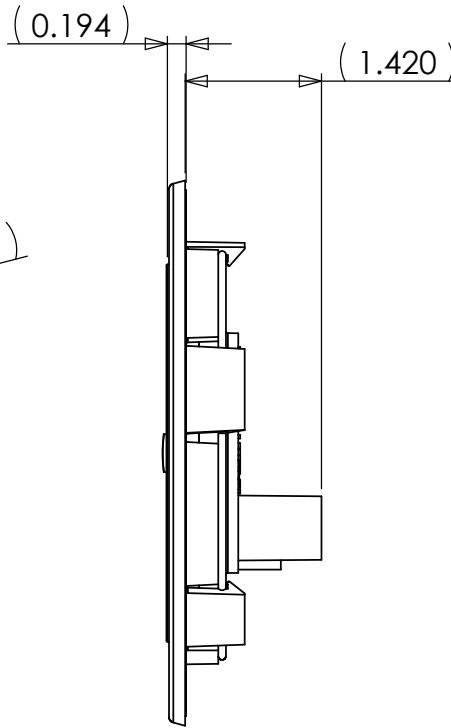
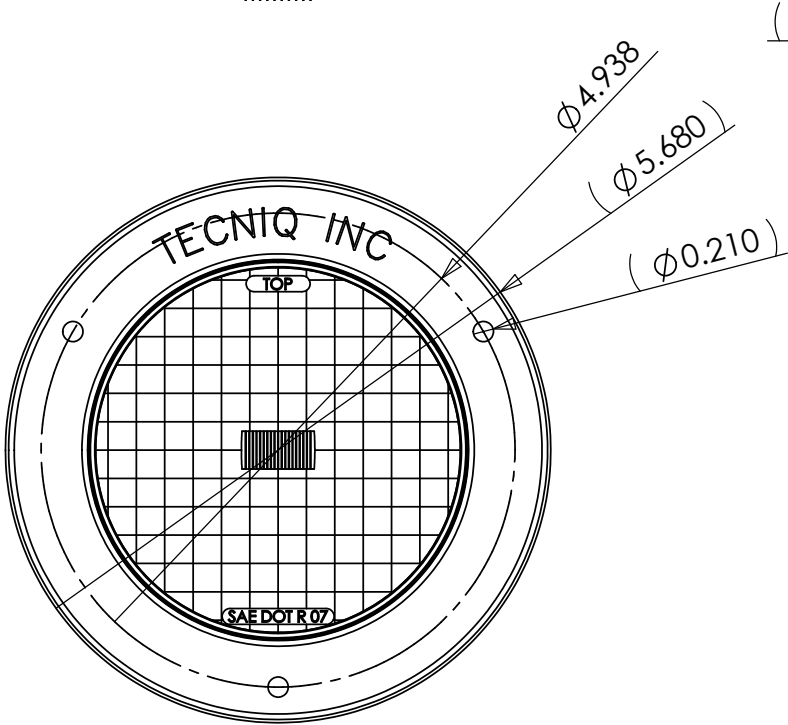
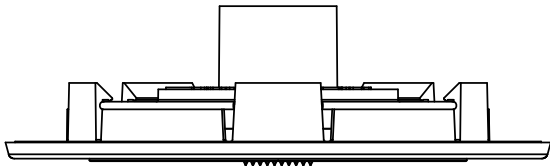


THE INFORMATION CONTAINED IN THIS DRAWING IS THE SOLE PROPERTY OF TecNiq inc. ANY REPRODUCTION IN PART OR WHOLE WITHOUT THE WRITTEN PERMISSION OF TecNiq Inc. IS PROHIBITED.  
**CONFIDENTIAL**

UNLESS OTHERWISE SPECIFIED DIMENSIONS ARE IN INCHES	CAD GENERATED DRAWING, DO NOT MANUALLY UPDATE		<b>TECNIQ INC.</b>	
TOLERANCES ARE: DECIMALS .XXX + .010"    ANGLES .XX ± .1deg				
MATERIAL --				
FINISH --				
DO NOT SCALE DRAWING			SIZE A	DWG. NO.



MOUNTS IN 4.5" HOLE

THE INFORMATION CONTAINED IN THIS DRAWING IS THE SOLE PROPERTY OF TecNiq inc. ANY REPRODUCTION IN PART OR WHOLE WITHOUT THE WRITTEN PERMISSION OF TecNiq Inc. IS PROHIBITED.  
**CONFIDENTIAL**

UNLESS OTHERWISE SPECIFIED DIMENSIONS ARE IN INCHES TOLERANCES ARE: DECIMALS .XXX + ±.010" ANGLES .XX ± .1deg	CAD GENERATED DRAWING, DO NOT MANUALLY UPDATE
MATERIAL --	
FINISH --	
DO NOT SCALE DRAWING	

<b>TECNIQ INC.</b>	
T40 AND T41 BASIC DIMENSIONS T CONNECTOR ANTI-THEFT FLANGE MOUNT	
SIZE A	DWG. NO.