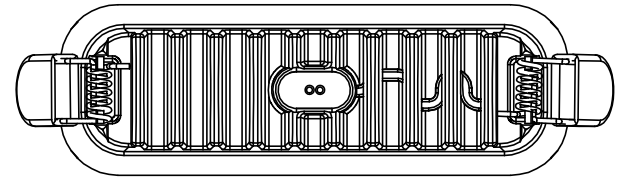
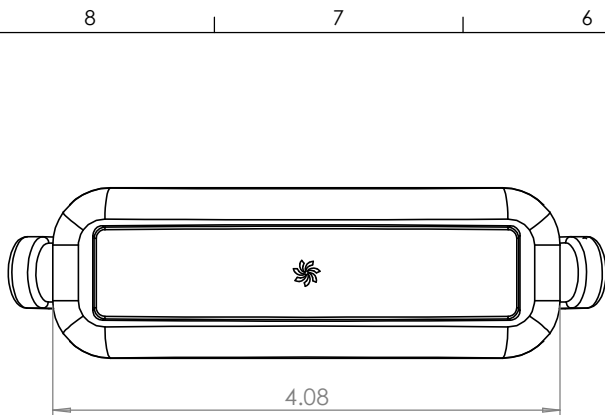
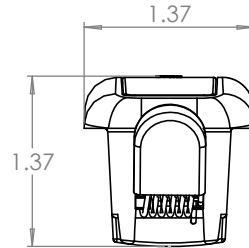
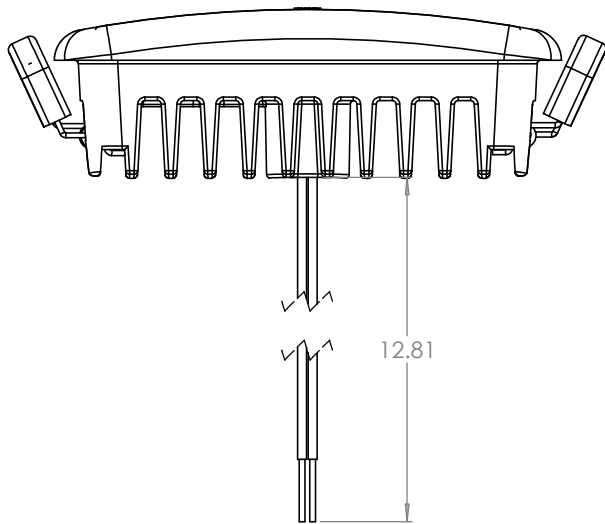
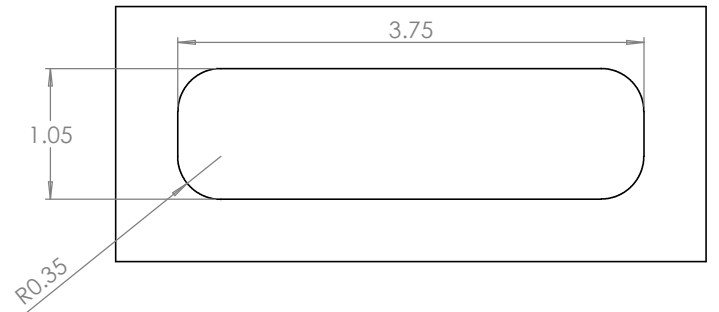


		M57			



MOUNTING SURFACE



NOTES:
 WIRE GAUGE: 16 AWG
 RED WIRE: 12VDC
 BLK WIRE: GND

	M57					