



TecNiq's New Heavy Duty Work Light

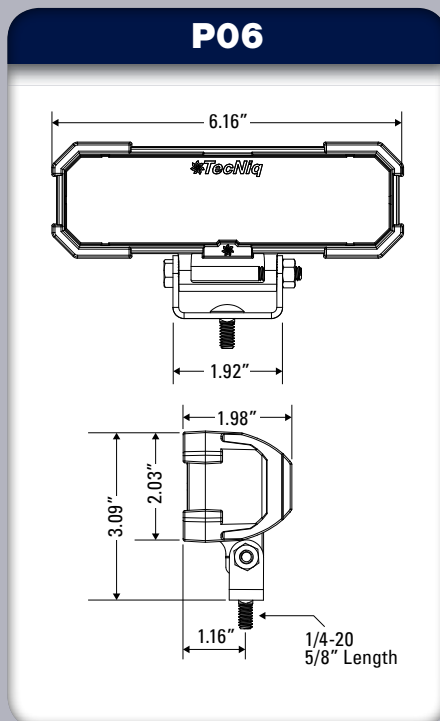
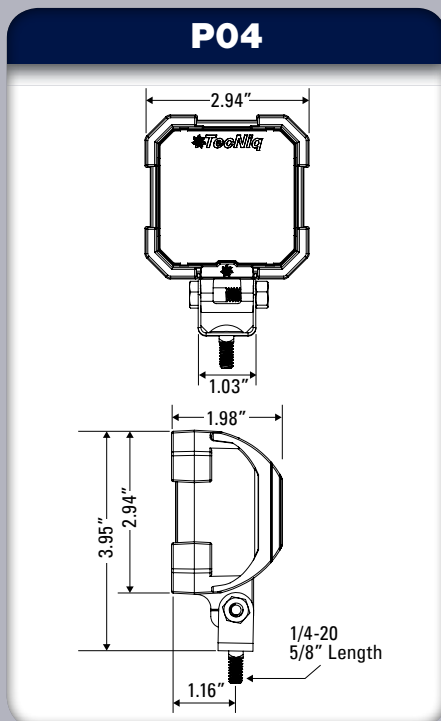
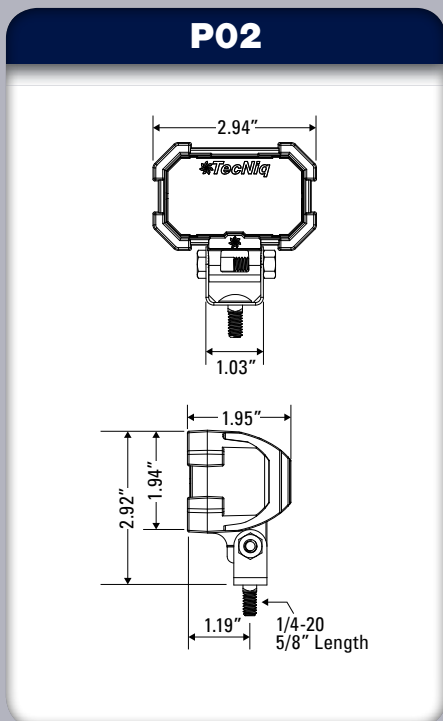
SteelHead Work Lights are designed for the most demanding task illumination applications, in the most extreme environments. These lights are vibration resistant and 100% water proof. The lamps are constructed with thick metal housings and impact resistant automotive grade polycarbonate lenses.

Built with the very best materials, including world leading LEDs, our highly efficient circuit design and proprietary thermal management, resulting in a uniquely small package size for some very powerful and intense lamps.

- Durable powder coated finish comes in our onyx black or marine white colors
- Three sizes to select from, two LED, four LED, and six LED models
- Offered with flood light or spot light lens
- Operating voltage range of 10 - 30 VDC
- Rated for over 50,000 hours
- All lights come with stainless steel mounting hardware
- Lifetime Warranty

**All of our work lights are designed
and manufactured at our Richland, MI facility**





| Model | Part Number | Lens | Finish | Dimensions | Lumens | Amp Draw |
|------------------|-------------|------------|--------|------------------|--------------------|-----------------------------|
| 2 LED Work Light | P02-WBSP-1 | Spot Lens | Black | 3" x 3" x 2" | 750 Source Lumens | 12V/0.52A — 24V/0.26A |
| | P02-WBFP-1 | Flood Lens | | | | |
| | P02-WWSP-1 | Spot Lens | White | | | |
| | P02-WWFP-1 | Flood Lens | | | | |
| 4 LED Work Light | P04-WBSP-1 | Spot Lens | Black | 3" x 4" x 2" | 1100 Source Lumens | 12V/0.66A — 24V/0.33A |
| | P04-WBFP-1 | Flood Lens | | | | |
| | P04-WWSP-1 | Spot Lens | White | | | |
| | P04-WWFP-1 | Flood Lens | | | | |
| 6 LED Work Light | P06-WBSP-1 | Spot Lens | Black | 6.2" x 3.1" x 2" | 1900 Source Lumens | 12V/1.2A — 24V/0.6A |
| | P06-WBFP-1 | Flood Lens | | | | |
| | P06-WWSP-1 | Spot Lens | White | | | |
| | P06-WWFP-1 | Flood Lens | | | | |

For more information on the newest addition to TecNiq's industry leading lighting solutions, visit www.TecNiqInc.com or call us at (269) 629-4440.