
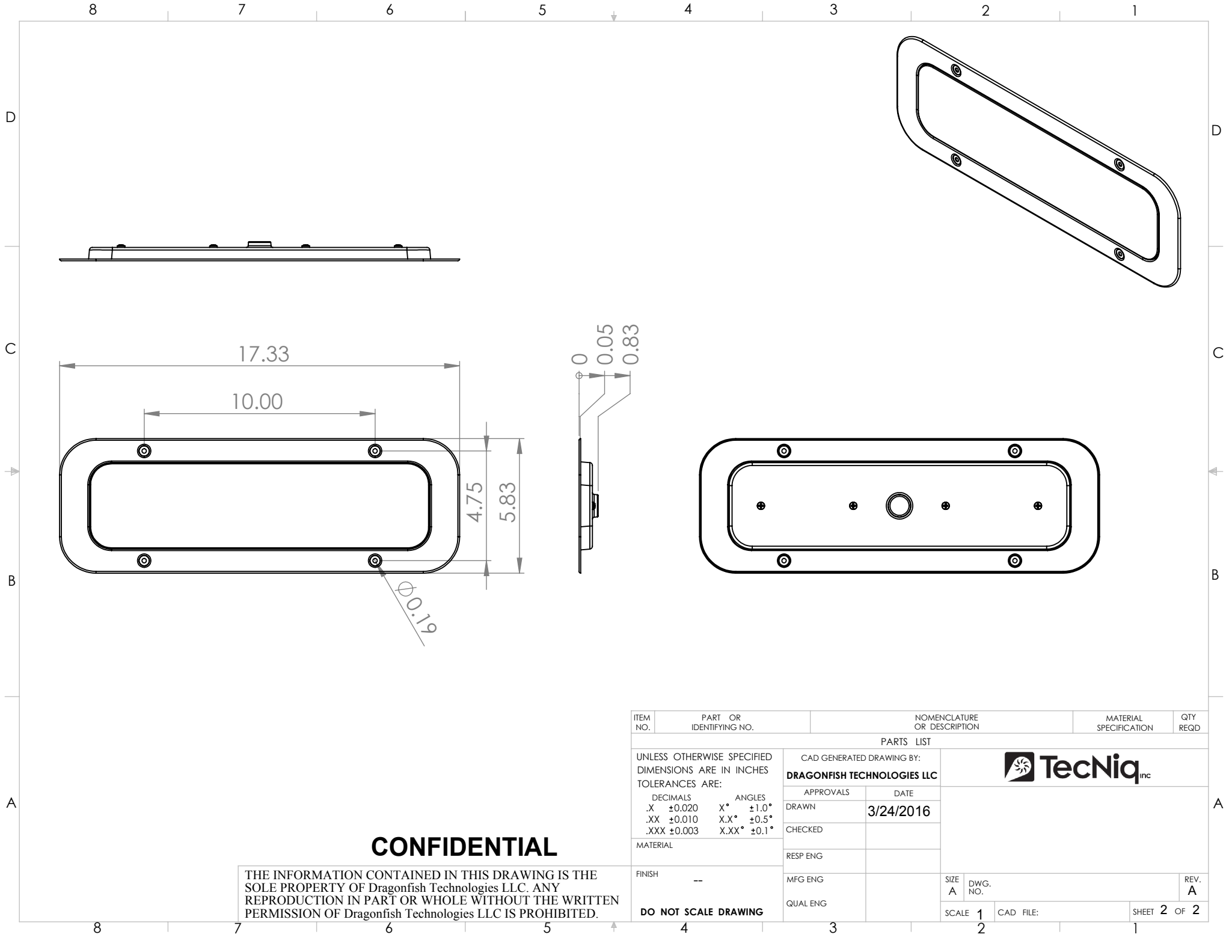


**CONFIDENTIAL**


THE INFORMATION CONTAINED IN THIS DRAWING IS THE SOLE PROPERTY OF Dragonfish Technologies LLC. ANY REPRODUCTION IN PART OR WHOLE WITHOUT THE WRITTEN PERMISSION OF Dragonfish Technologies LLC IS PROHIBITED.

ITEM NO.	PART OR IDENTIFYING NO.	NOMENCLATURE OR DESCRIPTION	MATERIAL SPECIFICATION	QTY REQD
<b>PARTS LIST</b>				
UNLESS OTHERWISE SPECIFIED DIMENSIONS ARE IN INCHES TOLERANCES ARE:		CAD GENERATED DRAWING BY: <b>DRAGONFISH TECHNOLOGIES LLC</b>		
DECIMALS .X ±0.020 .XX ±0.010 .XXX ±0.003				
ANGLES X° ±1.0° X.X° ±0.5° X.XX° ±0.1°		APPROVALS	DATE	
MATERIAL		DRAWN	3/24/2016	
FINISH --		CHECKED		
<b>DO NOT SCALE DRAWING</b>		RESP ENG		
		MFG ENG		
		QUAL ENG		
SIZE A	DWG. NO.	SCALE 1	CAD FILE:	REV. A
				SHEET 1 OF 2



**CONFIDENTIAL**

THE INFORMATION CONTAINED IN THIS DRAWING IS THE SOLE PROPERTY OF Dragonfish Technologies LLC. ANY REPRODUCTION IN PART OR WHOLE WITHOUT THE WRITTEN PERMISSION OF Dragonfish Technologies LLC IS PROHIBITED.

ITEM NO.	PART OR IDENTIFYING NO.	NOMENCLATURE OR DESCRIPTION	MATERIAL SPECIFICATION	QTY REQD
<b>PARTS LIST</b>				
UNLESS OTHERWISE SPECIFIED DIMENSIONS ARE IN INCHES TOLERANCES ARE:		CAD GENERATED DRAWING BY: <b>DRAGONFISH TECHNOLOGIES LLC</b>		
DECIMALS .X ±0.020 .XX ±0.010 .XXX ±0.003		 APPROVALS DATE DRAWN 3/24/2016 CHECKED RESP ENG MFG ENG QUAL ENG		
ANGLES X° ±1.0° X.X° ±0.5° X.XX° ±0.1°				
MATERIAL		SIZE A	DWG. NO.	REV. A
FINISH --		SCALE 1	CAD FILE:	SHEET 2 OF 2
<b>DO NOT SCALE DRAWING</b>				