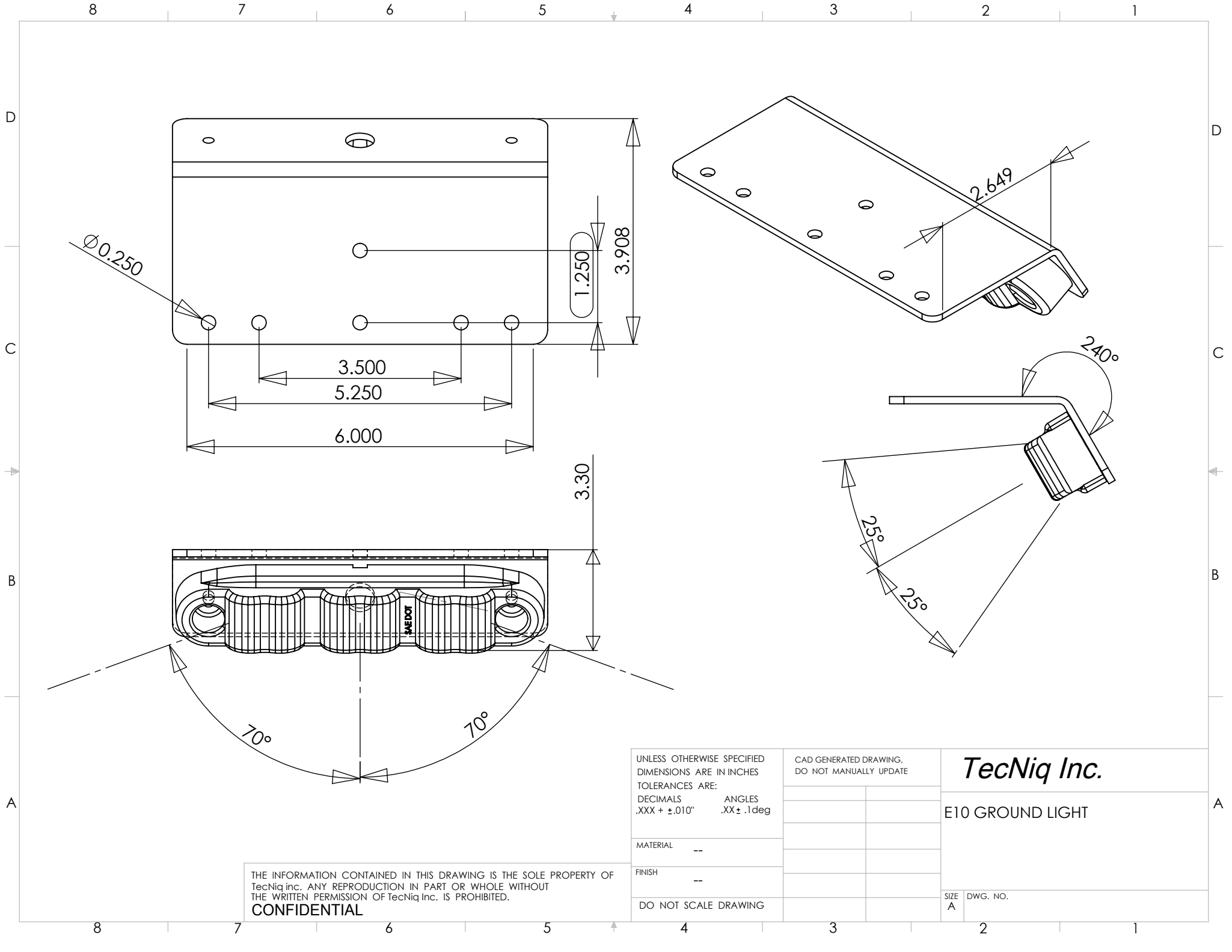


**CONFIDENTIAL**

THE INFORMATION CONTAINED IN THIS DRAWING IS THE SOLE PROPERTY OF Dragonfish Technologies LLC. ANY REPRODUCTION IN PART OR WHOLE WITHOUT THE WRITTEN PERMISSION OF Dragonfish Technologies LLC IS PROHIBITED.

ITEM NO.	PART OR IDENTIFYING NO.	NOMENCLATURE OR DESCRIPTION	MATERIAL SPECIFICATION	QTY REQD
<b>PARTS LIST</b>				
UNLESS OTHERWISE SPECIFIED DIMENSIONS ARE IN INCHES TOLERANCES ARE:		CAD GENERATED DRAWING BY: <b>DRAGONFISH TECHNOLOGIES LLC</b>		
DECIMALS .X ±0.020 .XX ±0.010 .XXX ±0.003		APPROVALS DRAWN CHECKED RESP ENG MFG ENG QUAL ENG		
ANGLES X° ±1.0° X.X° ±0.5° X.XX° ±0.1°		DATE <b>3/24/2016</b>		
FINISH --		SIZE A DWG. NO.		REV. A
<b>DO NOT SCALE DRAWING</b>		SCALE 1		CAD FILE: SHEET 1 OF 1



UNLESS OTHERWISE SPECIFIED  
 DIMENSIONS ARE IN INCHES  
 TOLERANCES ARE:  
 DECIMALS .XXX +  $\pm 0.010$ "    ANGLES .XX  $\pm 0.1$ deg

CAD GENERATED DRAWING,  
 DO NOT MANUALLY UPDATE

**TecNiq Inc.**

E10 GROUND LIGHT

MATERIAL	--
FINISH	--
DO NOT SCALE DRAWING	

SIZE A	DWG. NO.
-----------	----------

THE INFORMATION CONTAINED IN THIS DRAWING IS THE SOLE PROPERTY OF TecNiq Inc. ANY REPRODUCTION IN PART OR WHOLE WITHOUT THE WRITTEN PERMISSION OF TecNiq Inc. IS PROHIBITED.  
**CONFIDENTIAL**