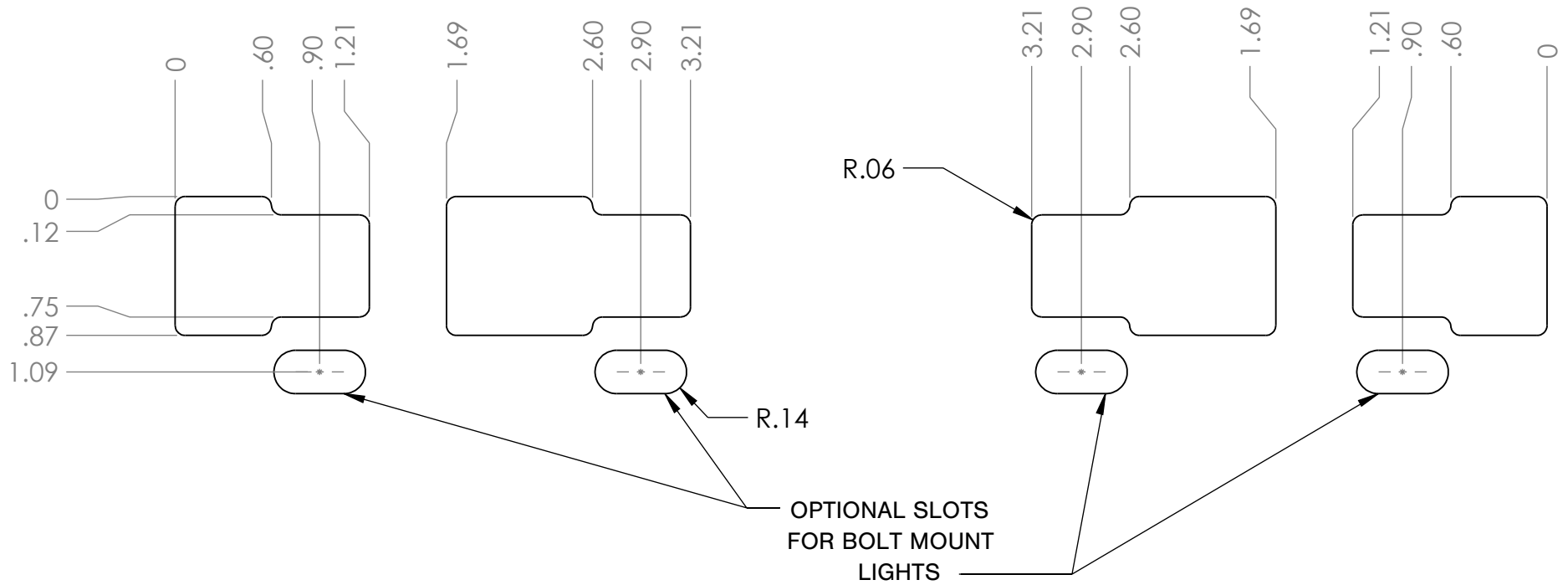


MOUNT TO 12GA SHEET METAL

CUTOUTS FOR
LEFT LIGHT
(T8X-RRLX-1)

CUTOUTS FOR
RIGHT LIGHT
(T8X-RRRX-1)



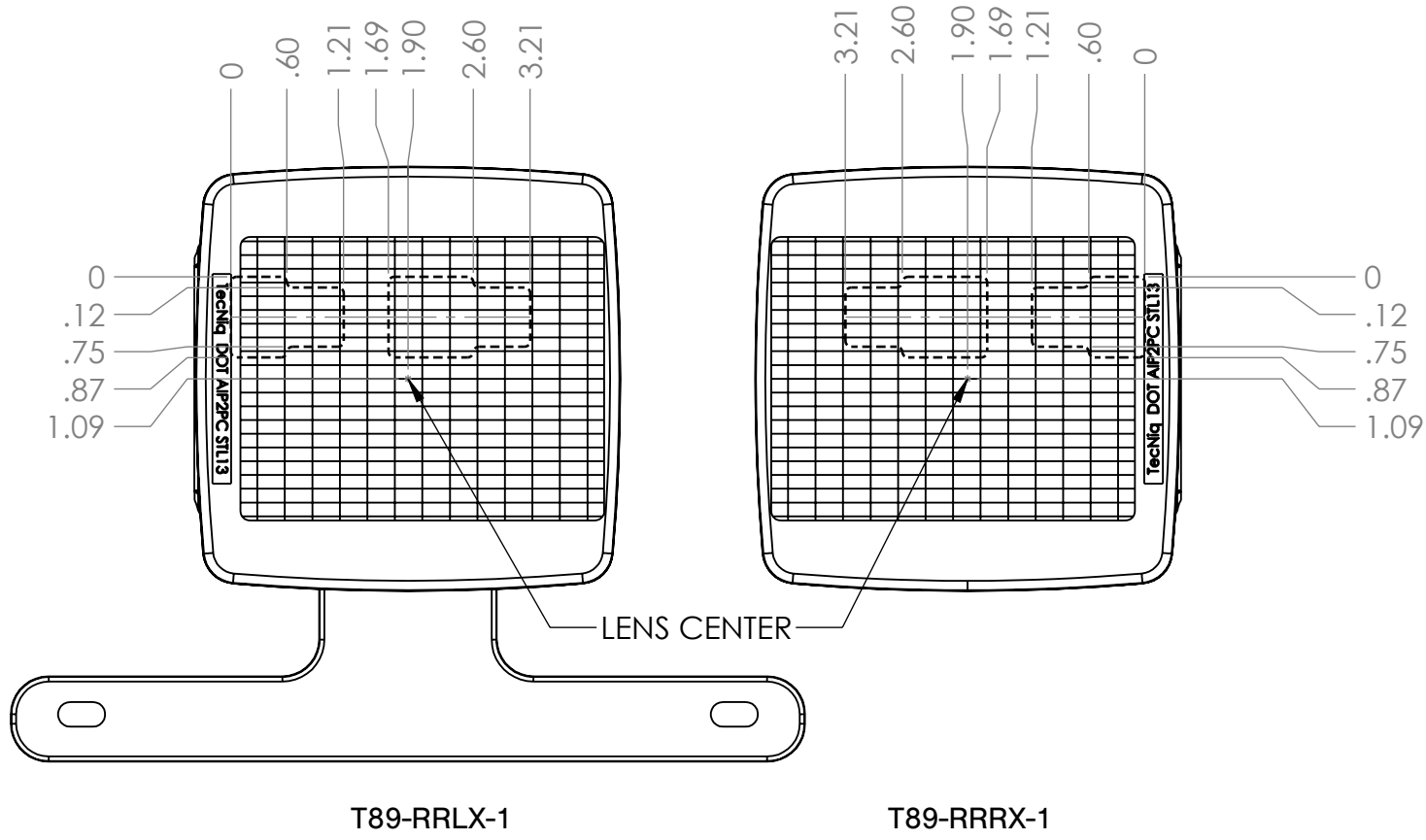
UNLESS OTHERWISE SPECIFIED
DIMENSIONS ARE IN INCHES
TOLERANCES ARE:

DECIMALS	ANGLES
.X ±0.020	X° ±1.0°
.XX ±0.010	X.X° ±0.5°
.XXX ±0.003	X.XX° ±0.1°

TecNiq^{inc}

Changing the Shape of Light™

T88-T89 PANEL CUTOUTS



T89-RRLX-1

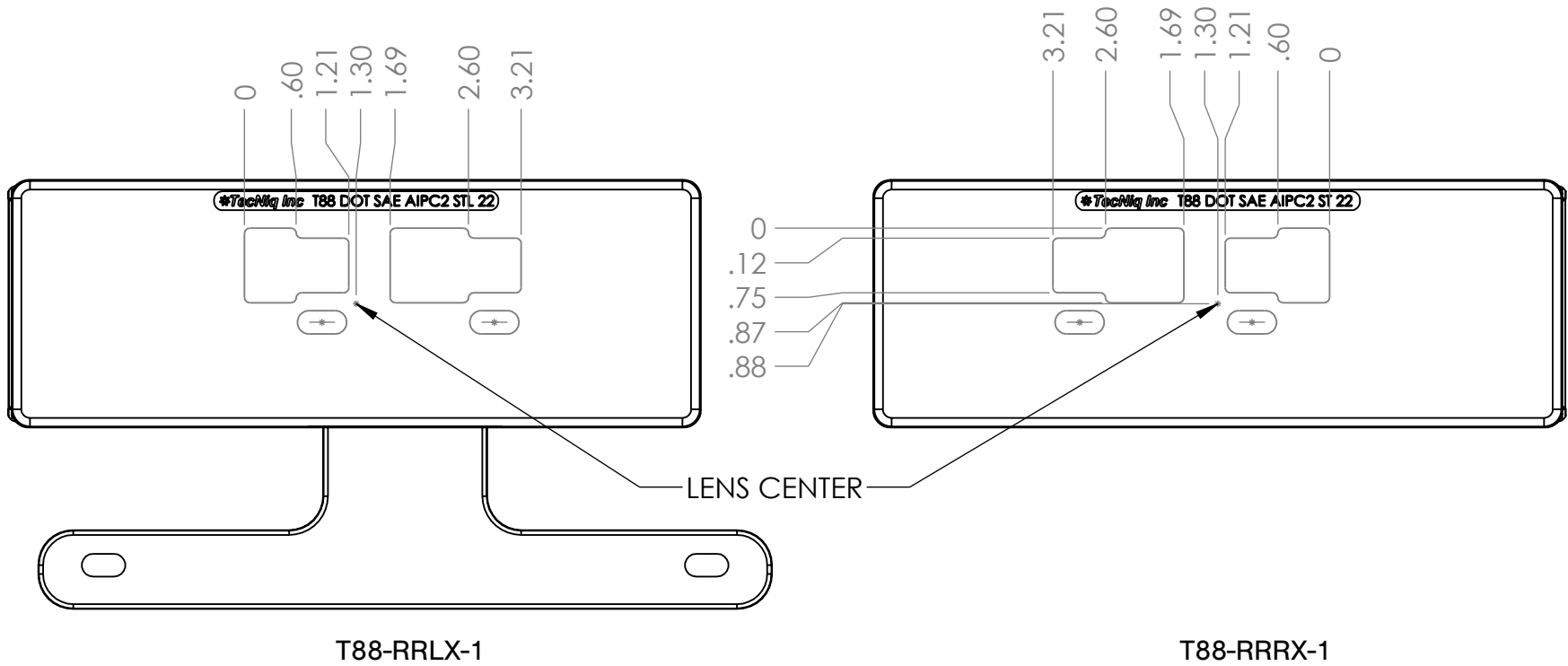
T89-RRRX-1

UNLESS OTHERWISE SPECIFIED
DIMENSIONS ARE IN INCHES
TOLERANCES ARE:

DECIMALS	ANGLES
.X ±0.020	X° ±1.0°
.XX ±0.010	X.X° ±0.5°
.XXX ±0.003	X.XX° ±0.1°

TecNiq_{inc}
Changing the Shape of Light™

T89 PANEL CUTOUTS with LENS CENTER RELATION



T88-RRLX-1

T88-RRRX-1

UNLESS OTHERWISE SPECIFIED
DIMENSIONS ARE IN INCHES
TOLERANCES ARE:

DECIMALS	ANGLES
.X ±0.020	X° ±1.0°
.XX ±0.010	X.X° ±0.5°
.XXX ±0.003	X.XX° ±0.1°

TecNiq^{inc}
Changing the Shape of Light™

T88 PANEL CUTOUTS with LENS CENTER RELATION