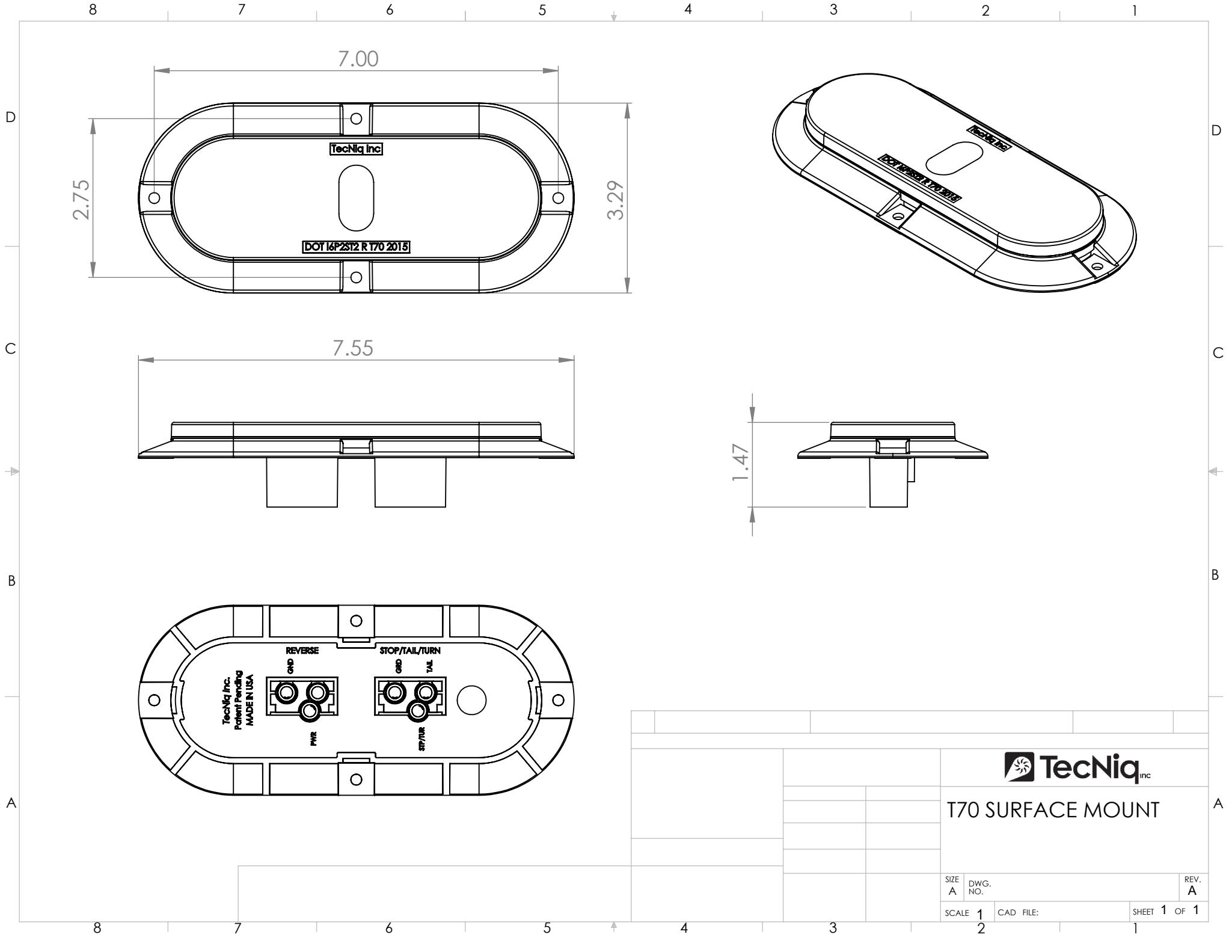


		T70	
DWG. NO.		REV.	
CAD FILE:		SHEET 1 OF 1	



7.00

2.75

3.29

7.55

1.47

REVERSE

STOP/TAIL/TURN

TecNiq Inc.
Patent Pending
MADE IN USA

GRD

GRD

PWR

STP/TUR

GRD

TAL



T70 SURFACE MOUNT

SIZE A	DWG. NO.	REV. A
SCALE 1	CAD FILE:	SHEET 1 OF 1