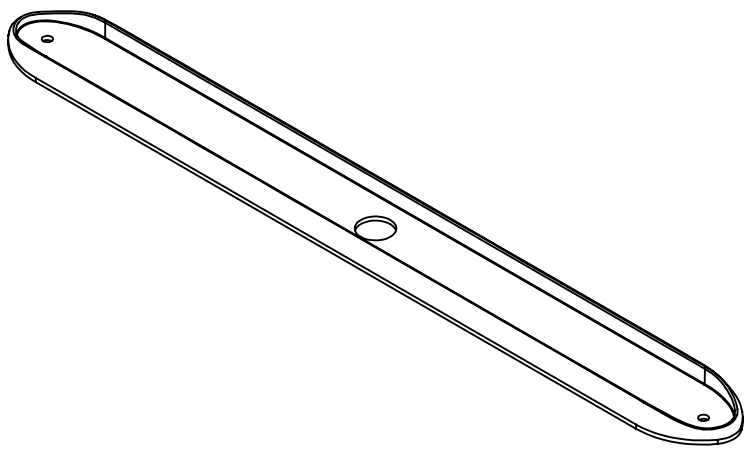
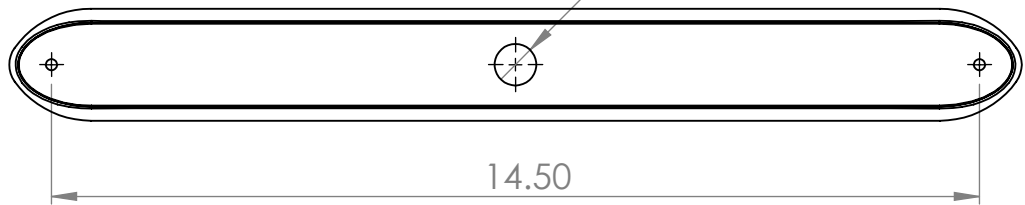


8 7 6 5 4 3 2 1

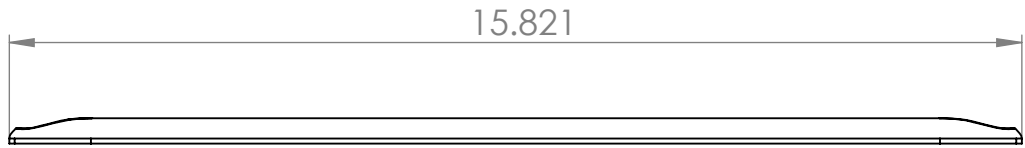
D

D



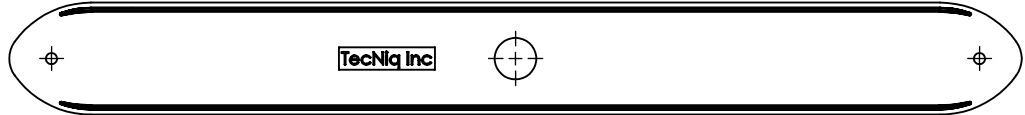
C

C



B

B



A

A

8 7 6 5 4 3 2 1

				T10-OC00-1			
SIZE	DWG.					REV.	
A	NO.					A	
SCALE	1	CAD FILE:				SHEET	1 OF 1
	2						