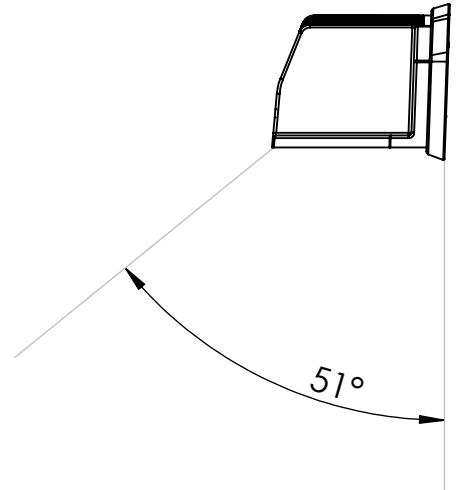
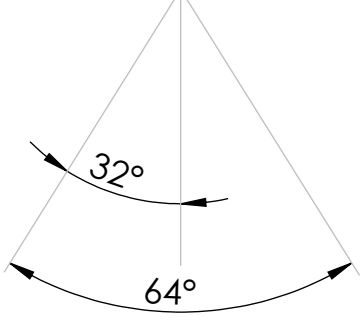
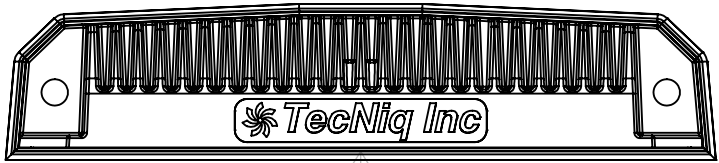
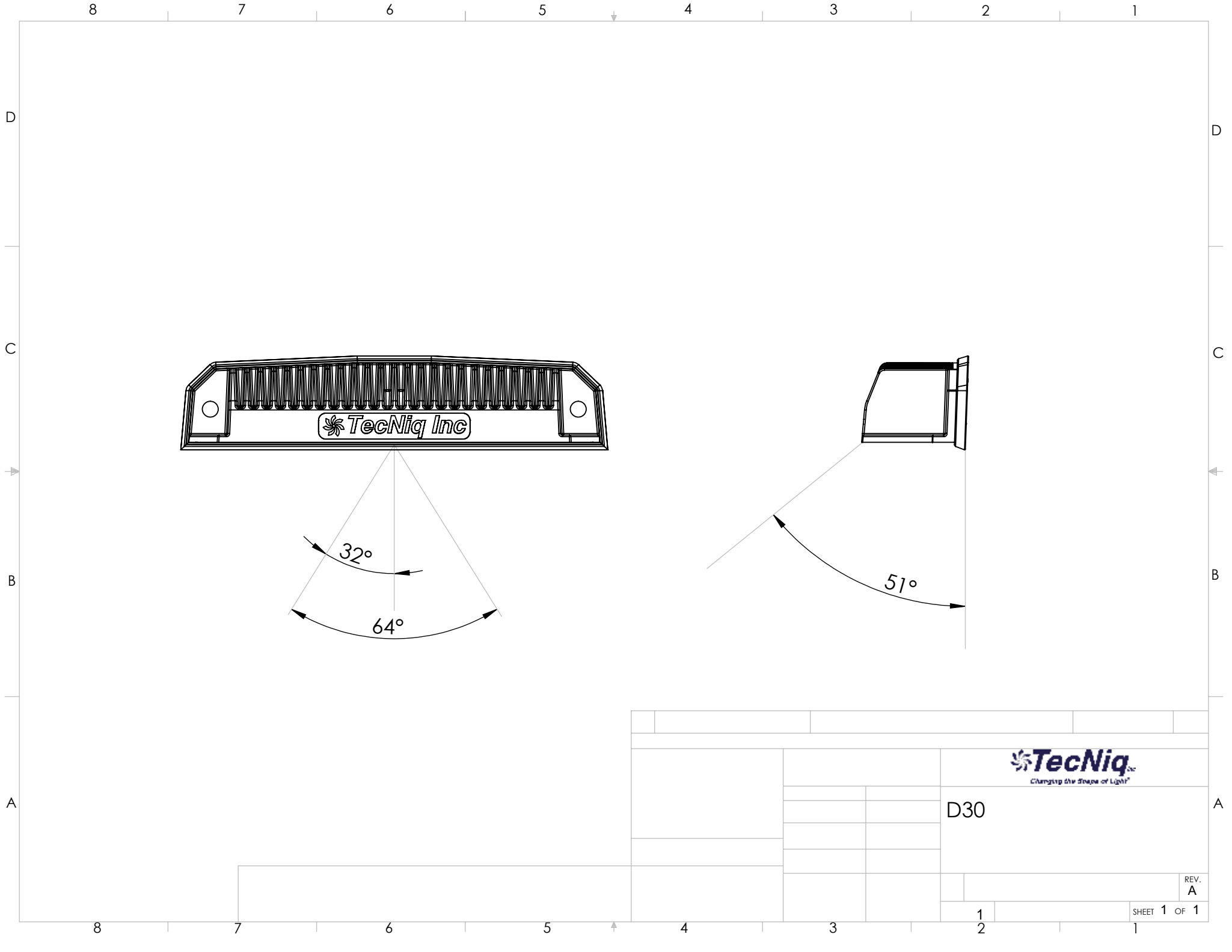


D30 LOAD LAMP

DWG. NO.	REV. A	
SCALE 1/2	CAD FILE:	SHEET 1 OF 1



TecNiq_{inc}
Changing the Shape of Light™

D30

REV.
A

SHEET 1 OF 1

1

2

1