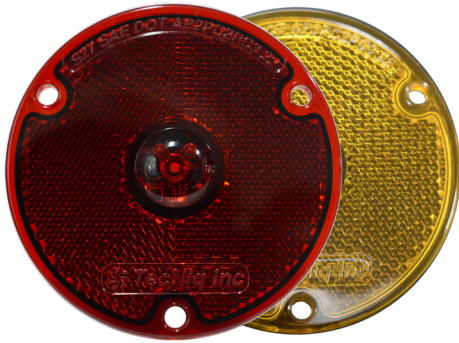


The All New **S27 PC Rated, Retroreflector Side Marker** is the newest side marker light from TecNiq. The S27 features (1) high quality white phosphor LED, with red or amber lensing. This retroreflector light produces 40 lumens, and is FMVSS 108 compliant. Surface mounted, with a 2 pin Amp connector and 100% sealed. See www.TecNiqInc.com for more.



S27

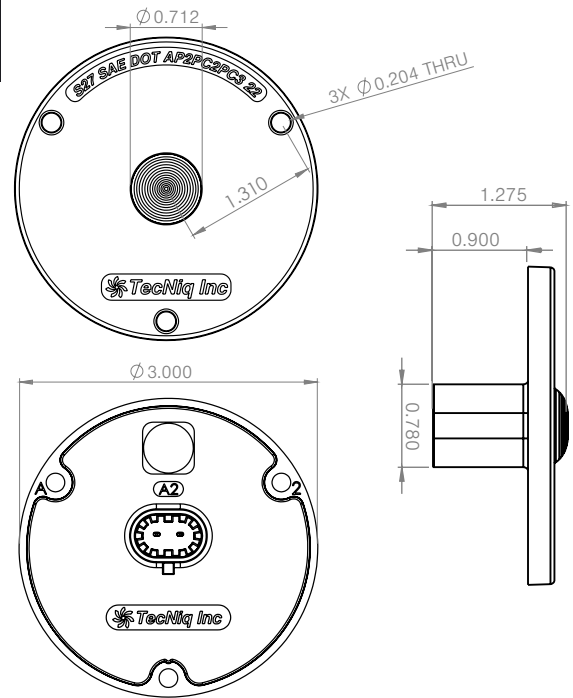
**PC RATED RETRO-REFLECTOR
FMVSS 108 SIDE MARKER**

Specifications

Dimensions:	3" x 3" x 1.275"
LEDs:	1
Voltage:	9 - 14V DC
Current:	0.8A ±0.15A Blue
Lumens:	40
Connector:	2 Pin Amp Connector
Mounting:	Surface mount
LED colors:	White

Technical Features

- ✦ PC rated side marker with 2 Pin Amp Connector
- ✦ Available with Red or Amber lens
- ✦ Designed for 100,000 hours of performance
- ✦ FMVSS 108 compliant & fully sealed



California Proposition 65

WARNING: This product can expose you to chemicals including lead, which is known to the State of California to cause cancer, birth defects or other reproductive harm

Part Numbers	Description	Std Pk	Connector
S27-AA0A-1	2" Round Amber Retroreflector Side Marker	-	2 Pin Amp
S27-RR0A-1	2" Round Red Retroreflector Side Marker	-	2 Pin Amp

