



## M57 - DOCKING/SPREADER LIGHT

PROVIDES HIGH LUMEN, BRIGHT WHITE LIGHT WITH EASY INSTALLATION

Introducing TecNiq's ALL NEW **M57 Docking/Spreader Lights**. The M57 was built to provide great illumination with easy of installation. The M57 is available in either a standard at 780 lumens, or the premium at 1125 lumens.

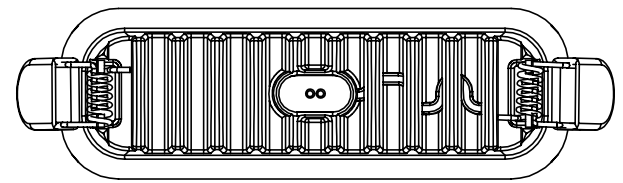
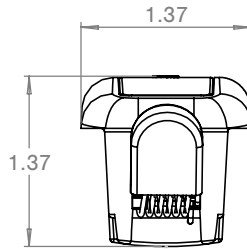
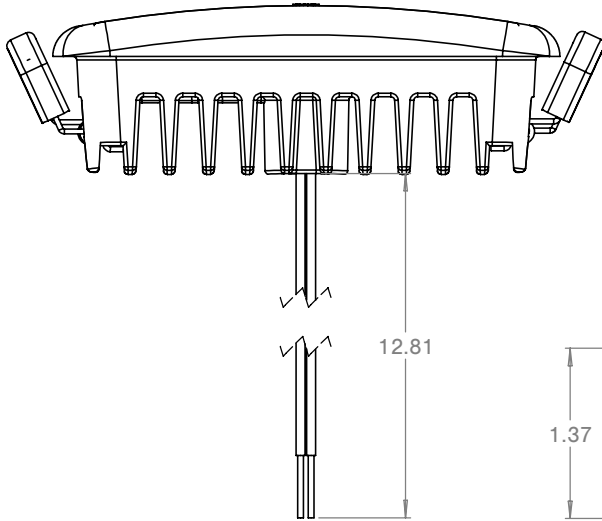


### Technical Features

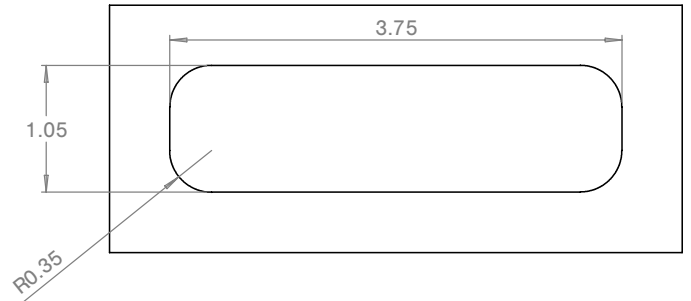
- ☞ Design easily secures with springs, allowing for no fasteners
- ☞ Provides years of reliable, bright white light
- ☞ 100% sealed design keeps circuit boards safe
- ☞ Meets or exceeds IP68 rating for dust and water incursion
- ☞ Reliable 100,000 hour life performance
- ☞ Comes with TecNiq Lifetime Warranty

**For More information, or to order samples, contact Stephanie Engle -  
Business Development Rep (Marine) at 26-629-4440 or StephanieE@tecniqinc.com**





MOUNTING SURFACE



**Specifications**

<b>Dimensions:</b>	4.08" x 1.37" x 1.37"
<b>LEDs:</b>	3
<b>Voltage:</b>	9 - 14V DC
<b>Current:</b>	0.525 - 0.850A
<b>Connector:</b>	12" Sheathed Pigtail
<b>Mounting:</b>	Spring Tension Mount
<b>LED colors:</b>	White

**California Proposition 65**

WARNING: This product can expose you to chemicals including lead, which is known to the State of California to cause cancer, birth defects or other reproductive harm

Part Numbers	Description	Connector
M57-WW00-1	M57 Docking/Spreader Light White light White Base (780 lumens)	12" Pigtail
M57-WB00-1	M57 Docking/Spreader Light White light Black Base (780 lumens)	12" Pigtail
M57-WBP0-1	M57 Docking/Spreader Light White light Black Base (1125 lumens)	12" Pigtail

