

M20

Marine Navigation Light

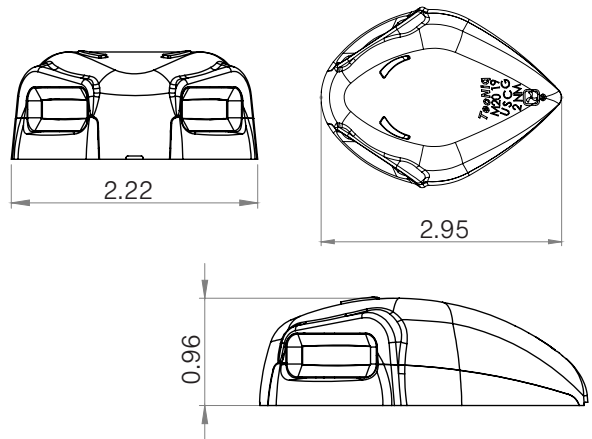


Technical features

- ✦ Reinforced, sleek design providing a lifetime of navigation lighting
- ✦ Uses our TecSeal Potting – Guaranteed sealed light
- ✦ Meets or exceeds IP68 rating for dust and waterproof
- ✦ Reliable 100,000 hour life performance
- ✦ Lifetime Limited Warranty

Specifications

Dimensions	2.22" x 2.95" (see diagram)
LED's	2
Current	0.39A - 0.51A – Green 0.39A - 0.51A – Red
Voltage	9-14V DC
Mounting	Surface mounts with (2) screws
LED colors	Red & Green



California Proposition 65

WARNING: This product can expose you to chemicals including lead, which is known to the State of California to cause cancer, birth defects or other reproductive harm

Part Numbers	Description	Std. Pack	Connector
M20-G000-1	Green Starboard Light Engine	100	Pigtail (6")
M20-GS00-1	Starboard navigation light stainless cover	100	Pigtail (6")
M20-2S00-1	Bi color navigation light stainless cover	100	Pigtail (6")
M20-R000-1	Red Port Light Engine	100	Pigtail (6")
M20-RS00-1	Port navigation light stainless cover	100	Pigtail (6")

