

TecNiq's E60 is a solid docking light sold in pairs, made with anodized cast aluminum heatsink for durability, and finished with 316 stainless steel cover for elegance. Our bright 2000 lumen E60 is potted with TecSeal and guaranteed waterproof and functionality for a lifetime of use.



See [www.TecNiqInc.com](http://www.TecNiqInc.com) for more details and a complete list of part numbers.

## E60

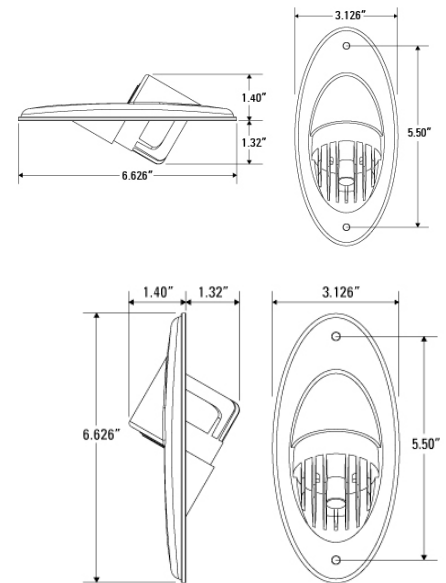
### FLUSH MOUNT DOCKING LIGHT

#### Technical features

- ✦ Combines great appearance with powerful performance of 2000 lumens each
- ✦ Waterproof design, made with our TecSeal Urethane potting
- ✦ Anodized cast aluminum heatsink
- ✦ 316 Stainless steel cover

#### Specifications

<b>Dimensions:</b>	6.6" x 3.125" x 2.7"
<b>LEDs:</b>	1
<b>Voltage:</b>	9-30V DC
<b>Lumens:</b>	2000
<b>Connector:</b>	12"
<b>Current:</b>	1.25A - 1.75A
<b>LED colors:</b>	White
<b>Mounting:</b>	Surface mounted with two screws



#### California Proposition 65

WARNING: This product can expose you to chemicals including lead, which is known to the State of California to cause cancer, birth defects or other reproductive harm

Part Numbers	Description	Std	Connector
E60-WS20-1	Recessed Mount LED Docking Light, Pair	-	Sheathed Pigtail (12")

