

TecNiq's E3X Series lamps are a perfect replacement for fluorescent lights of similar lengths. The simplified design allows for easy installation. And, unlike fluorescents, there are no bulbs to burn out, no ballasts to fail, and virtually no sensitivity to shock and vibration.



See www.TecNiqInc.com for more details and a complete list of part numbers.

E35/E36/E38

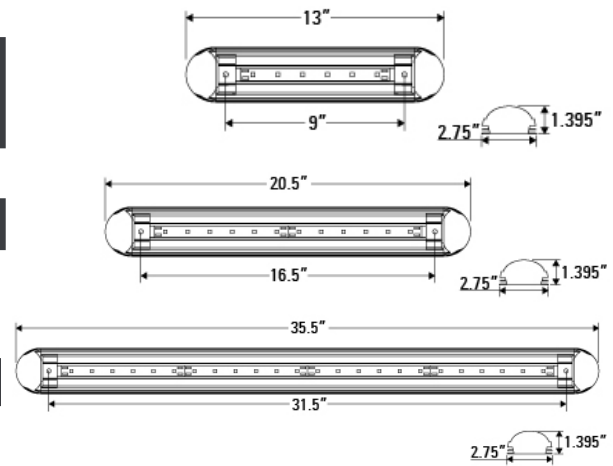
HIGH OUTPUT LINEAR LED AREA LIGHTS

Technical features

- ✦ Slim light design, perfect for under counter applications
- ✦ Reliable performance over 50,000 hours
- ✦ Shock proof and moisture-resistant construction
- ✦ 180° wide light-beam illuminates large area
- ✦ Quick and easy mounting with two screws
- ✦ Easy replacement for fluorescent light fixtures

Specifications

Dimensions:	E38 – 35.5"x 1.4"x 2.75" E36 – 20.5"x 1.4"x 2.75" E35 – 13"x 1.4"x 2.75"
LEDs:	6 / 12 / 24
Voltage:	9-14V DC (24V models available)
Current:	0.47A-0.58A E35 @24V 0.24A-0.29A E35 1.05A-1.28A E36 @24V 0.53A-0.64A E36 1.88A-2.29A E38 @24V 0.94A-1.15A E38
Connector:	9"
Mounting:	Surface mount using (2) #10 or #12 screws hidden by the lens
LED colors:	White, Neutral White, Warm White
Lumens:	545 / 1500 / 3000



California Proposition 65

WARNING: This product can expose you to chemicals including lead, which is known to the State of California to cause cancer, birth defects or other reproductive harm

Part Numbers	Description	Std	Connector
E35-LB00-1	Linear LED SM Light Neutral White Black Body 9W	10	Sheathed Pigtail
E35-WB0S-1	Linear LED SM Light Cool White Black Body 9W w/Switch	10	Sheathed Pigtail
E36-WB24-1	Linear LED SM Cool Light White Black Body 18W 24V	10	Sheathed Pigtail
E38-WB0S-1	Linear LED SM Light Cool White Black Body 36W w/Switch	10	Sheathed Pigtail

