



See www.TecNiqInc.com for more details and a complete list of part numbers.

E12

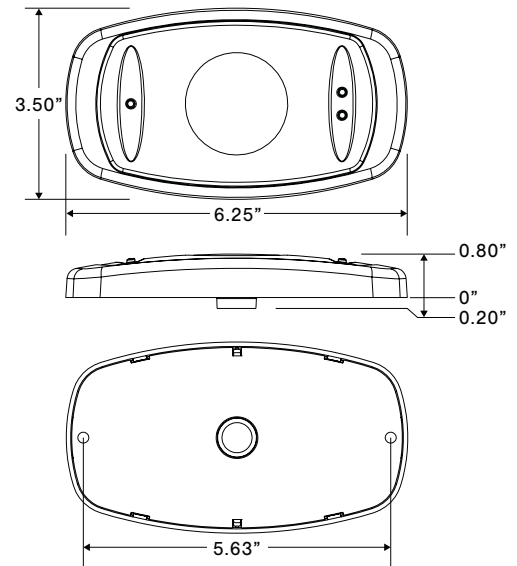
**RED/WHITE
LED DOME LIGHT**

Technical features

- ✦ Surface mounted for ease of installation – requires one 3/4" wire hole
- ✦ Vibration resistant, low profile design
- ✦ Reliable performance over 50,000 hours
- ✦ Lamp output of 550 lumens
- ✦ Excellent optic quality with impact resistant lensing

Specifications

Dimensions:	6.25" x 3.5" x 1"
LEDs:	14
Lumens:	550 Source Lumens (High) 220 (Low)
Voltage:	9 - 14V DC
Current:	Nominal Current: White High Mode: 0.36A White Low Mode: 0.07A Red Mode: 0.09A
Connector:	9" Pigtail
Mounting:	Surface mount using just (2) #6 screws
Wire colors:	Red Wire: 12V DC Power Black Wire: Ground Green Wire: Red/White Indicator Light White Wire: White Door Switch Input (+12V or Ground) Blue Wire: Red Door Switch Input (+12V or Ground)



California Proposition 65

WARNING: This product can expose you to chemicals including lead, which is known to the State of California to cause cancer, birth defects or other reproductive harm

Part Numbers	Description	Std Pk	Connector
E12-WB0RP-1	Red/White Combo Dome Light		Pigtail

