

The **TecNiq T68** is high visibility and available in a variety of mounts, lens colors and connectors. A smooth finish and the ability to mount at any angle puts this light at the top of the list.



See [www.TecNiqInc.com](http://www.TecNiqInc.com) for more details and a complete list of part numbers.

**T68**

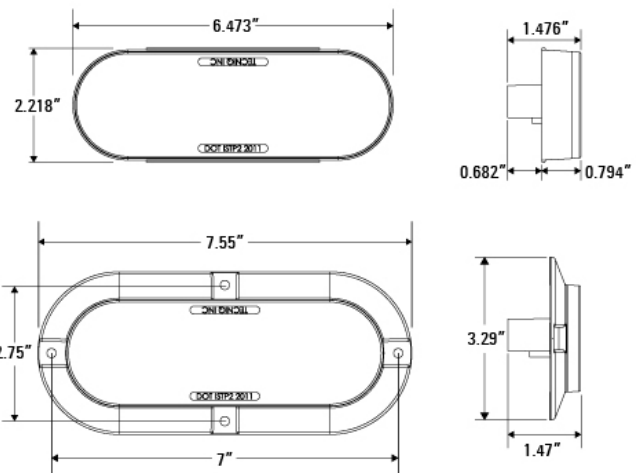
**6" HIGH  
VISIBILITY STT**

### Technical features

- ✦ Newest addition to TecNiq's High Visibility STT family
- ✦ Durable impact resistant lens
- ✦ Fits all industry standard 6" oval applications
- ✦ IP68 rating while exceeding FMVSS 108 standards
- ✦ Excellent UV Resistance - Automotive exterior lighting grade polycarbonate

### Specifications

<b>Dimensions:</b>	Flange Mount - 8.00"x 3.25"x 1.37" Grommet Mount - 6.45"x 2.22"x 1.48" Surface Mount - 7.5"x 3.3"x 1.65"
<b>LEDs:</b>	8
<b>Voltage:</b>	9 - 14V DC
<b>Current:</b>	0.12A-0.16A Red 0.25A-0.35A White 0.125A-0.155A Amber flasher
<b>Connector:</b>	Amp Connector Tri-Pole Connector 9" pigtail
<b>Mounting:</b>	Fits standard mounting holes
<b>LED colors:</b>	Red, Amber and White



### California Proposition 65

WARNING: This product can expose you to chemicals including lead, which is known to the State of California to cause cancer, birth defects or other reproductive harm

Part Numbers	Description	Std	Connector
T68-AAZ0A-1	6" Oval High Visibility Strobe Grommet Mount Amp	120	Amp
T68-RRF0T-1	6" Oval High Visibility STT Flange Mount Tri Pole	120	Tri-Pole
T68-WCF0A-1	6" Oval High Vis Reverse Clear Lens Flange Mount Amp Connector	120	Amp

