

The TecNiq T61 lamps are offered in horizontal and vertical mounting styles for DOT compliance. In addition, we offer a variety of connector styles and clear lens options on request.



See [www.TecNiqInc.com](http://www.TecNiqInc.com) for more details and a complete list of part numbers.

**T61**

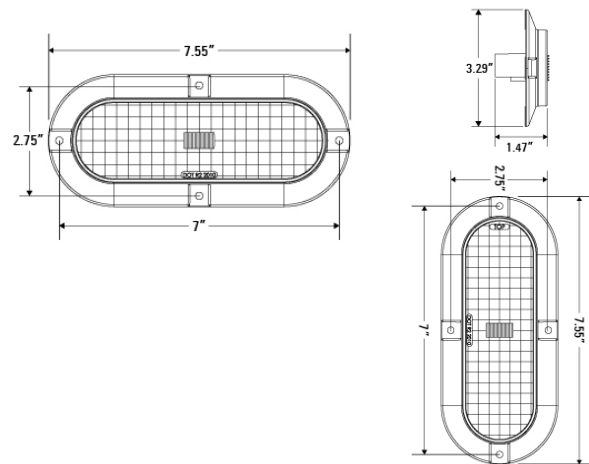
**6" OVAL STT  
SURFACE MOUNT**

### Technical features

- ☼ Surface mount 6" oval - fits all industry standard applications
- ☼ Durable impact resistant lens
- ☼ Reliable performance over 100,000 hours
- ☼ IP68 rating while exceeding FMVSS 108 standards
- ☼ Can be purchased for horizontal or vertical position mounting - separate part numbers

### Specifications

<b>Dimensions:</b>	Grommet Mount - $\phi 4.31$ "x 1.6" Flange Mount - $\phi 5.48$ "x 1.47"
<b>LEDs:</b>	8 red /2 white
<b>Voltage:</b>	9 - 14V DC
<b>Current:</b>	0.11A-0.15A Red, 0.3A (reverse)
<b>Connector:</b>	9" Pigtail, Amp, and Tri-Pole Connector
<b>Mounting:</b>	Fits standard mounting holes
<b>LED colors:</b>	Red/White



### California Proposition 65

WARNING: This product can expose you to chemicals including lead, which is known to the State of California to cause cancer, birth defects or other reproductive harm

Part Numbers	Description	Std	Connector
T61-AAHA-1	6" Oval Amber Turn Horiz. Surface Mount Amber Lens Amp	120	Amp
T61-RCHP-1	6" Oval Red STT Horiz. Surface Mount Clear Lens w/Pig-Tail	140	Pigtail
T61-RRVP-1	6" Oval Red STT Vertical Surface Mount Red Lens Pigtail	140	Pigtail

