

The new **T46**, High-Visibility Stop/Tail/Turn lights are designed with the very latest in LED technology, resulting in some of the brightest STT lights available. Be seen in all conditions, and at a greater distances. These lights employ the same highly efficient lens design and industry best materials you have come to expect from TecNiq Inc. **See www.TecNiqInc.com for more details and a complete list of part numbers.**

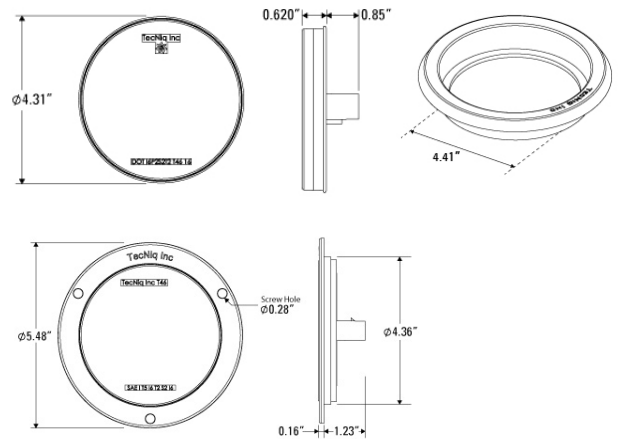


Technical features

- ✦ Fits all industry standard 4" round applications
- ✦ Meets all FMVSS 108 requirements for wide and narrow vehicles
- ✦ TecSeal Urethane Potting guarantees circuit board protection
- ✦ Offered in our grommet or flange mount styles
- ✦ Reliable performance for over 100,000 hours

Specifications

Dimensions:	Grommet Mount - 4.31" x 2.45" (see diagram) Surface Mount - 5.48" x 1.39"
LEDs:	8
Voltage:	9 - 14V DC
Current:	0.11A-0.15A Red
Connector:	Amp, Tri-Pole, and 9" Pigtail
Mounting:	Fits standard 4" mounting holes
LED colors:	Red & Amber
Wire Colors:	White Wire Ground red/amber stripe Red Wire Brake Black Wire Tail Light



California Proposition 65

WARNING: This product can expose you to chemicals including lead, which is known to the State of California to cause cancer, birth defects or other reproductive harm

Part Numbers	Description	Std Pack	Connector Type
T40-OS00-1	4" Round Trim Ring SS	100	-
T40-OG00-1	4" Round Grommet	100	-
T46-AA0P-1	Hi Visibility 4" Round Amber Turn Amber Lens Pigtail	100	Pigtail
T46-WC0P-1	Hi Visibility 4" Round Reverse Clear Lens Grommet Mount Pigtail	100	Pigtail
T46-RRFA-1	Hi Visibility 4" Round STT Red Lens Flange Mount Amp	100	Amp

