

The TecNiq T45 Introducing our new high-visibility stop/tail/turn/reverse lights. Designed with the very latest in LED technology, resulting in some of the brightest STT lights available. Be seen in all conditions, and at greater distances.



See www.TecNiqInc.com for more details and a complete list of part numbers.

T45

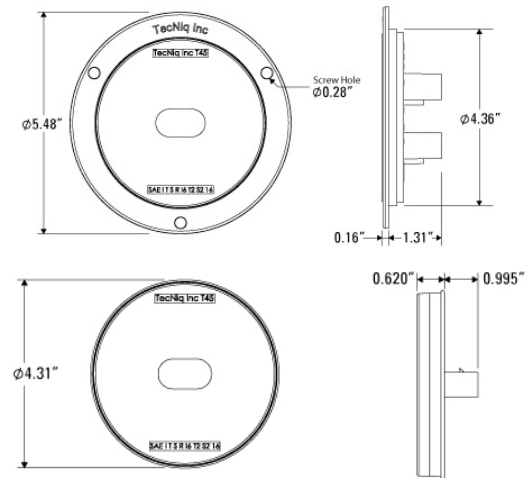
HIGH VISIBILITY STT W/REVERSE

Technical features

- ✦ Fits all standard 4" round applications
- ✦ Available in grommet or flange mount
- ✦ Lifetime Warranty
- ✦ IP68 rating while exceeding FMVSS 108 standards
- ✦ Save time and money with our new combination Stop/Tail/Turn and Reverse Light

Specifications

Dimensions:	Grommet Mount - $\phi 4.31"$ x 1.6" Flange Mount - $\phi 5.48"$ x 1.47"
LEDs:	8 red /2 white
Voltage:	9 - 14V DC
Current:	0.11A-0.15A Red, 0.3A (reverse)
Connector:	9" Pigtail, Amp, and Tri-Pole Connector
Mounting:	Fits standard mounting holes
LED colors:	Red/White



California Proposition 65

WARNING: This product can expose you to chemicals including lead, which is known to the State of California to cause cancer, birth defects or other reproductive harm

Part Numbers	Description	Std	Connector
T45-RC0P-1	4" Round STTR Clear Lens Grommet Mount Pig-Tail	100	Pigtail
T45-RCFT-1	4" Round STTR Clear Lens Flange Mount Tri-Pole	100	Tri-Pole
T45-RWFA-1	4" Round STTR Red Lens Flange Mount Amp	100	Amp

