

The **ALL NEW M91 RGB+W Accent Light** is the perfect light for boats, RV's and more. The M91 provides subtle, diffused lighting that looks great, and will last a lifetime. This grommet mounted light is IP68 rated to withstand dust and water incursion. The M91 comes with a 9" unsheathed pigtail, and is often utilized for steps, inside storage areas, and all around commercial vehicles and boats.



See [www.TecNiqInc.com](http://www.TecNiqInc.com) for a complete list of part numbers, as well as other great products.

**M91**

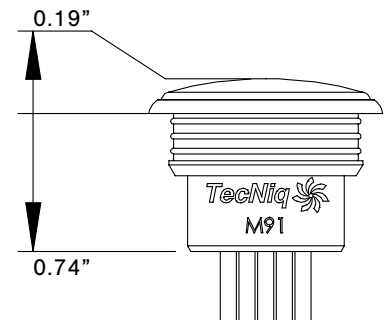
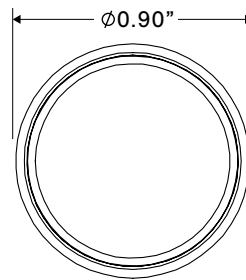
**RGB+W  
ACCENT LIGHT**

**Technical Features**

- ✦ M91 is IP68 rated for Dust & Water incursion
- ✦ This new light performs at over 100,000 hours
- ✦ Diffused lensing provides great, even color
- ✦ The M91 connects with a 9" Unsheathed Pigtail
- ✦ Provides professional grade accent lighting for boats, RV's, trailers and more

**Specifications**

<b>Dimensions:</b>	1.25" x 1.25" x 0.93"
<b>LEDs:</b>	3
<b>Voltage:</b>	9 - 14V DC
<b>Current:</b>	Red - 0.02A, Green - 0.02A Blue - 0.02A, White - 0.02A
<b>Connector:</b>	9" Unsheathed Pigtail
<b>Mounting:</b>	Grommet mounted
<b>Lumens</b>	Red 2.2, Green 4.4, Blue 1.1, White 7, RGB+W 14



California Proposition 65

Part Numbers	Description	Std Pk	Connector
M91-4F00-1	1" Round RGB+W LED Diffused Accent Light	TBD	9" Unsheathed Pigtail

