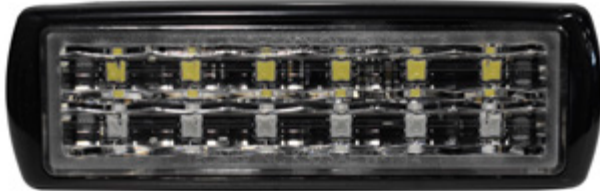


K30 Grille Lights are built on the same foundation as all TecNiq Lights – superior engineering, sleek design, and an unwavering commitment to the highest quality product on the market. The **K30's** come in either a (3) LED, (6) LED, or (12) LED option and now available with a steady burn option. Brackets are available for the K30 in both a fixed position bracket, or a swivel bracket. **TecNiq K30 Grille Lights are the perfect choice for First Responder Vehicles, Work Trucks, Trailer Lighting, and more.**



(12) LED version



(6) LED version



(3) LED version

K30



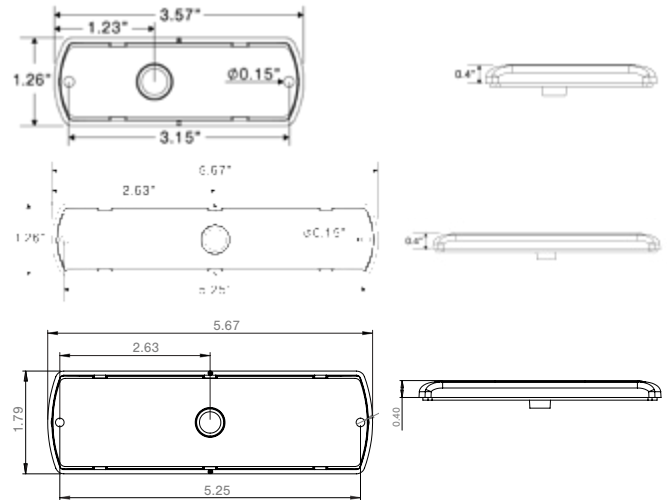
**GRILLE LIGHT
WITH FLASH SYNC**

Technical features

- ✦ Surface mount, sleek design with an IP68 Rating
- ✦ **Now Available in Steady Burn model**
- ✦ Reliable up to 100,000 hour life performance
- ✦ Available in Black automotive grade polycarbonate
- ✦ **NOW AVAILABLE IN DUAL COLORS**

Specifications

Dimensions:	(3) LED/ 3.57" x 1.26" x 0.4" (6) LED/ 5.67" x 1.26" x 0.4" (12) LED/5.67" x 1.79" x 0.4"
LEDs:	3, 6, and 12
Voltage:	9 - 32V DC
Current:	(3) 0.225A - 0.275A (6) 0.450A - 0.550A (12) 0.680A - 0.880A
Connector:	Pigtail
Mounting:	Surface mount
LED colors:	White, Amber, Blue, Red, Green



California Proposition 65

WARNING: This product can expose you to chemicals including lead, which is known to the State of California to cause cancer, birth defects or other reproductive harm

Part Numbers	Description	LED	Connector
K30-AC030-1	K30 Amber Flasher LEDs, Clear Lens	3	Pigtail
K30-BC060-1	K30 Blue Flasher LEDs, Clear Lens	6	Pigtail
K30-GC030-1	K30 Green Flasher LEDs, Clear Lens	3	Pigtail
K30-RR120-1	K30 Red Flasher LEDs, Red Lens	12	Pigtail
K30-WC120-1	K30 White Flasher LEDs, Clear Lens	12	Pigtail

See www.TecNiqInc.com for more details and a complete list of part numbers.

