

TecNiq's E30 offers a unique and elegant design that includes top-end LEDs, urethane potting and military-grade circuit board material encased in extra thick polycarbonate that results in a tough, reliable lighting solution at an impressive price. When you include TecNiq's AccuColor technology for color balance, you have an unbeatable combination of high-performance and value.

See www.TecNiqInc.com for more details and a complete list of part numbers.

E30



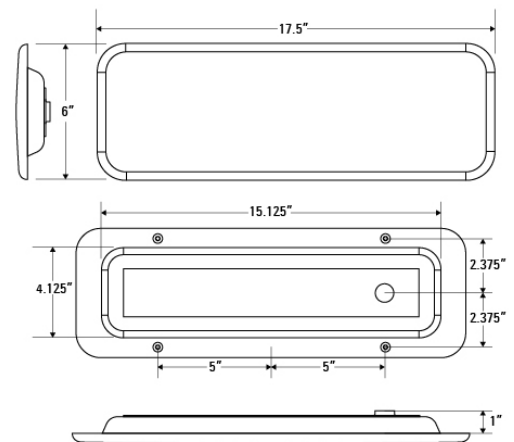
HIGH PERFORMANCE CEILING LIGHT

Technical features

- ✦ Powerful 1050-2100 lumen output
- ✦ Excellent replacement for fluorescent light fixtures
- ✦ Moisture-resistant, vibration proof light design
- ✦ NFPA and Triple K compliant
- ✦ Available with 21 or 42 LEDs that minimize bright spots and reduce shadows

Specifications

Dimensions:	17.5" x 6.0" x 1.0"
LEDs:	21 or 42 + 16 Red (optional)
Voltage:	9 - 14V DC
Current:	0.7A-0.9A (21 LED) 1.3A-1.9A (42 LED) +0.65A-0.90A (Red)
Connector:	12" Pigtail
Mounting:	Mounts using (4) #10 screws hidden by the lens
LED colors:	White, and White/Red
Lumens:	1050 (21 LED), 2100 (42 LED)



California Proposition 65

WARNING: This product can expose you to chemicals including lead, which is known to the State of California to cause cancer, birth defects or other reproductive harm

Part Numbers	Description	Std	Connector
E30-L000-1	Recessed 4K White 42 LED Light 6" x 17.5"	12	12" Pigtail
E30-L00R-1	Recessed 4K White/Red 42/16 LED Light 6" x 17.5"	12	12" Pigtail
E30-L010-1	Recessed 4K White 21 LED Light 6" x 17.5"	12	12" Pigtail
E30-L0S0-1	Recessed 4K White 42 LED Light 6" x 17.5" Switched	12	12" Pigtail
E30-L1SR-1	Recessed 4K White/Red 21/16 LED Light 6" x 17.5" Switched	12	12" Pigtail

