



## E05

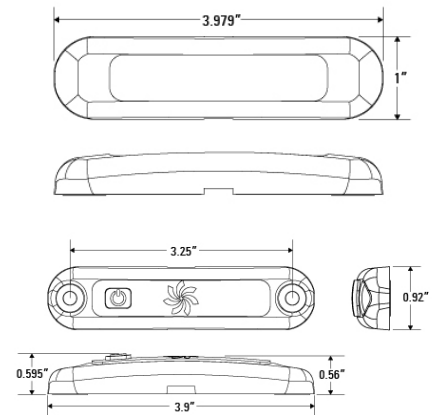
## SURFACE MOUNT AREA LIGHT

### Technical features

- ✦ Integrated On/Off Switch
- ✦ Available in 316 stainless steel or high-impact molded in color covers
- ✦ Great appearance with hidden fasteners
- ✦ Reliable performance for over 100,000 hours
- ✦ Can be mounted on flat or 1" round bar surface (w/available adapter)

### Specifications

<b>Dimensions:</b>	1" x 4" x 0.6"
<b>LEDs:</b>	3
<b>Voltage:</b>	9 - 12V DC
<b>Connector:</b>	6"
<b>Mounting:</b>	Mounts with two screws hidden behind the cover Also available with curved back adapter for poles
<b>LED colors:</b>	White
<b>Lumens:</b>	220



### California Proposition 65

WARNING: This product can expose you to chemicals including lead, which is known to the State of California to cause cancer, birth defects or other reproductive harm

Part Numbers	Description	Std	Connector
E05-0B00-1	Interior Area Light - 1" Round Bar Mt. Adapter	10	Sheathed Pigtail (6")
E05-WBS0-1	Interior Area Light, Surface Mt., White LED, Black Cover	10	Sheathed Pigtail (6")
E05-WSS0-1	Interior Area Light, Surface Mt., White LED, SS Cover	10	Sheathed Pigtail (6")
E05-WWS0-1	Interior Area Light, Surface Mt., White LED, White Cover	10	Sheathed Pigtail (6")

